

FEATURES

- DIP and SMD type
- Diode version are available for customer's selection
- UL approved
- Used for security system, modem and other telecommunication products



UL FILE NO.: E126167
CUL FILE NO.: E126167

ORDERING INFORMATION

R2 — D 1A 05
1 2 3 4

- | | |
|---|--|
| <p>1. Type R2 : DIP Type R3 : SMD Type</p> <p>2. Function Nil : Standard Type D : With Diode Type H : High Insulation</p> | <p>3. Contact Arrangement 1A : 1 Form A(SPST-NO) 1B : 1 Form B(SPSTNC) 1C : 1 Form C(SPDT) 2A : 2 Form A(2PST-NO)</p> <p>4. Coil Voltage</p> |
|---|--|

CONTACT RATING

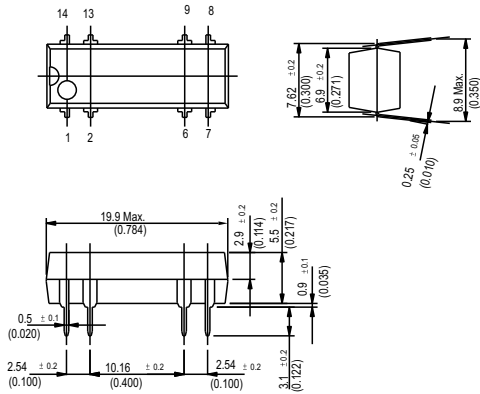
| | | |
|-----------------------------------|----------------|------|
| 1PST-NO/ 1PST-NC 1PDT /2PST-NO | Switch Current | 0.5A |
| | Carry Current | 1.0A |

COIL DATA

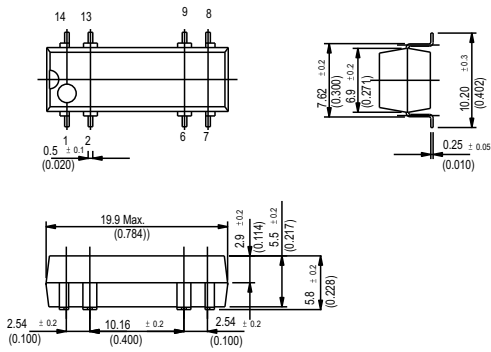
| Nominal Voltage (VDC) | Maximum Operate Voltage(V) | Resistance Tol.±10% (Ohms) | Maximum Pick Up Voltage(V) | Minimum Drop Out Voltage (V) | Nominal Input Power (mW) |
|-----------------------|----------------------------|----------------------------|----------------------------|------------------------------|--------------------------|
| 5 | 16 | 500 | 3.75 | 0.8 | 50 |
| 12 | 20 | 1,000 | 9.0 | 1.0 | 144 |
| 24 | 32 | 2,150 | 18.0 | 2.0 | 268 |

DIMENSIONS(mm)

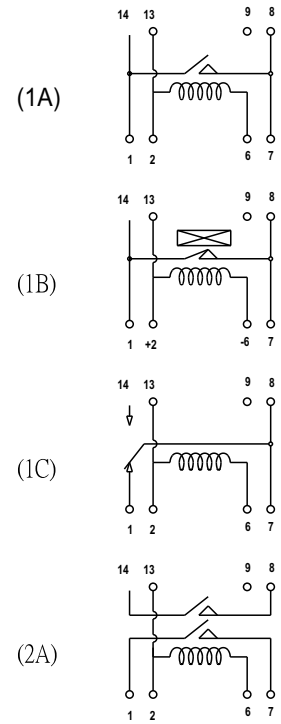
(DIP TYPE)



(SMD TYPE)

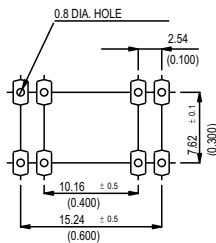


Wiring Diagram (Top View)



P.C.B. Layout (Top View)

(DIP TYPE)



(SMD TYPE)

