



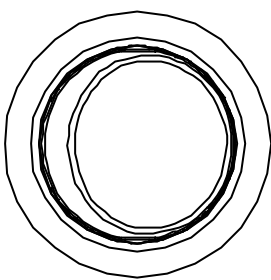
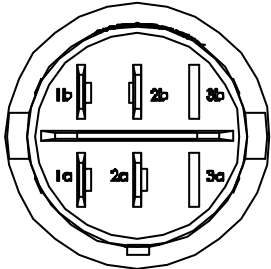
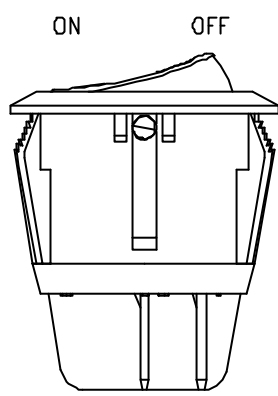
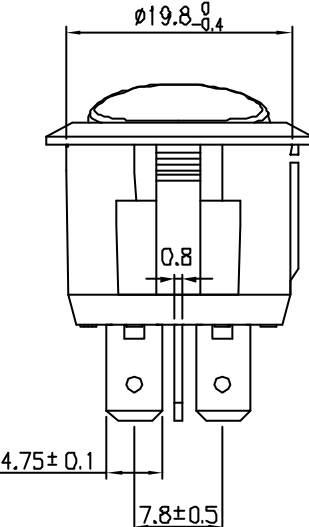
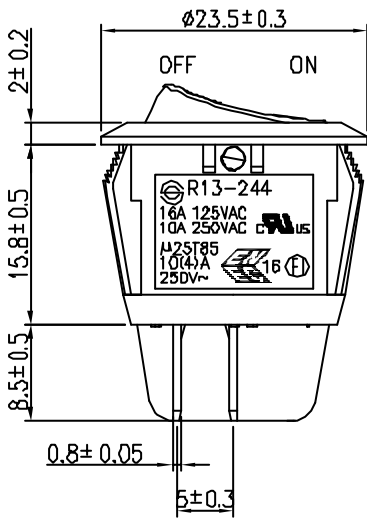
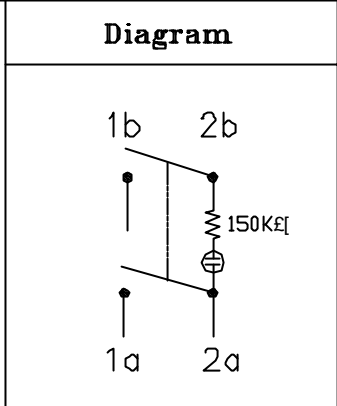


Rating	10(4)A 250V AC   16A 125V AC 10A 250V AC  	Mounting Hole	
Contact Resistance	50m ohm Max.		
Insulation Resistance	DC 500V 100M ohm Min.	Panel Thickness: 2.0~3.0	
Dielectric Strength	AC 1500V 1 minute	Panel Thickness: 0.7~3.0	
Operation Temperature	-20°~85°		
Operation Force	800g±200g		
Switch Function	4P DPST ON-OFF (Illuminated)		




*Material
 Frame: Nylon#66, Black
 Lens: PC
 Terminal: Copper alloy, Silver plated



1822466	Red	Yellow clear
1821915	Red	Red clear
1821909	Green	Green clear
SCI NO.	Neon Light Color	Lens Color

C8\R13\R13-244B-02(1821909,1821915,1822466)_1

07/03/'07	黃衛東	Update the frame's engraving			△
Date	Name	Description			NO
Drawn	Checked	Approved	SCI No.	See Table	Model Name ROCKER SWITCH
黃衛東	李元生	李景煌	Customer No.		Model No. R13-244B-02
07/03/'07	08/28/'07	09/28/'07	Unit	mm	 SHIN CHIN INDUSTRIAL CO., LTD.