

## 120X120X25 mm

## KF1225-01 Series



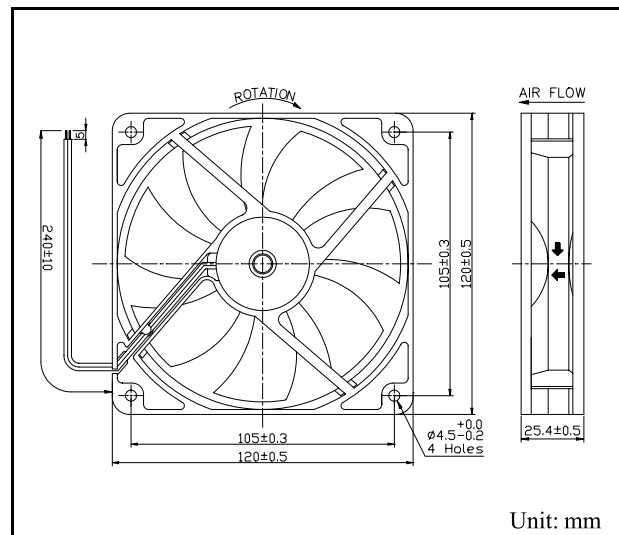
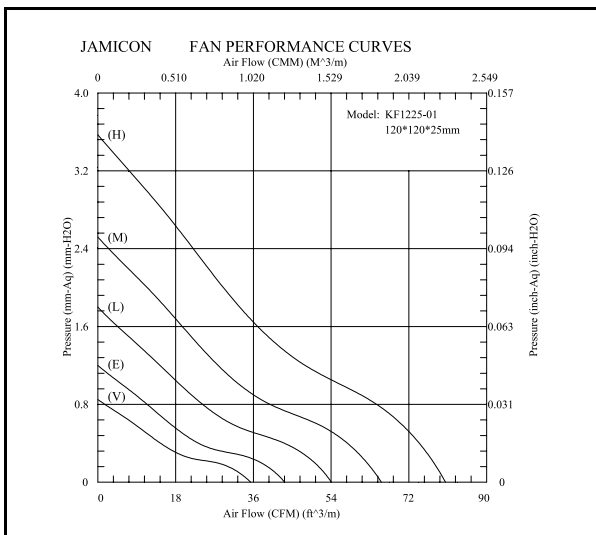
- **Frame** : Plastic Material UL 94V-0
- **Impeller** : Plastic Material UL 94V-0
- **Speed Range** :  $\pm 10\%$

### SPECIFICATIONS

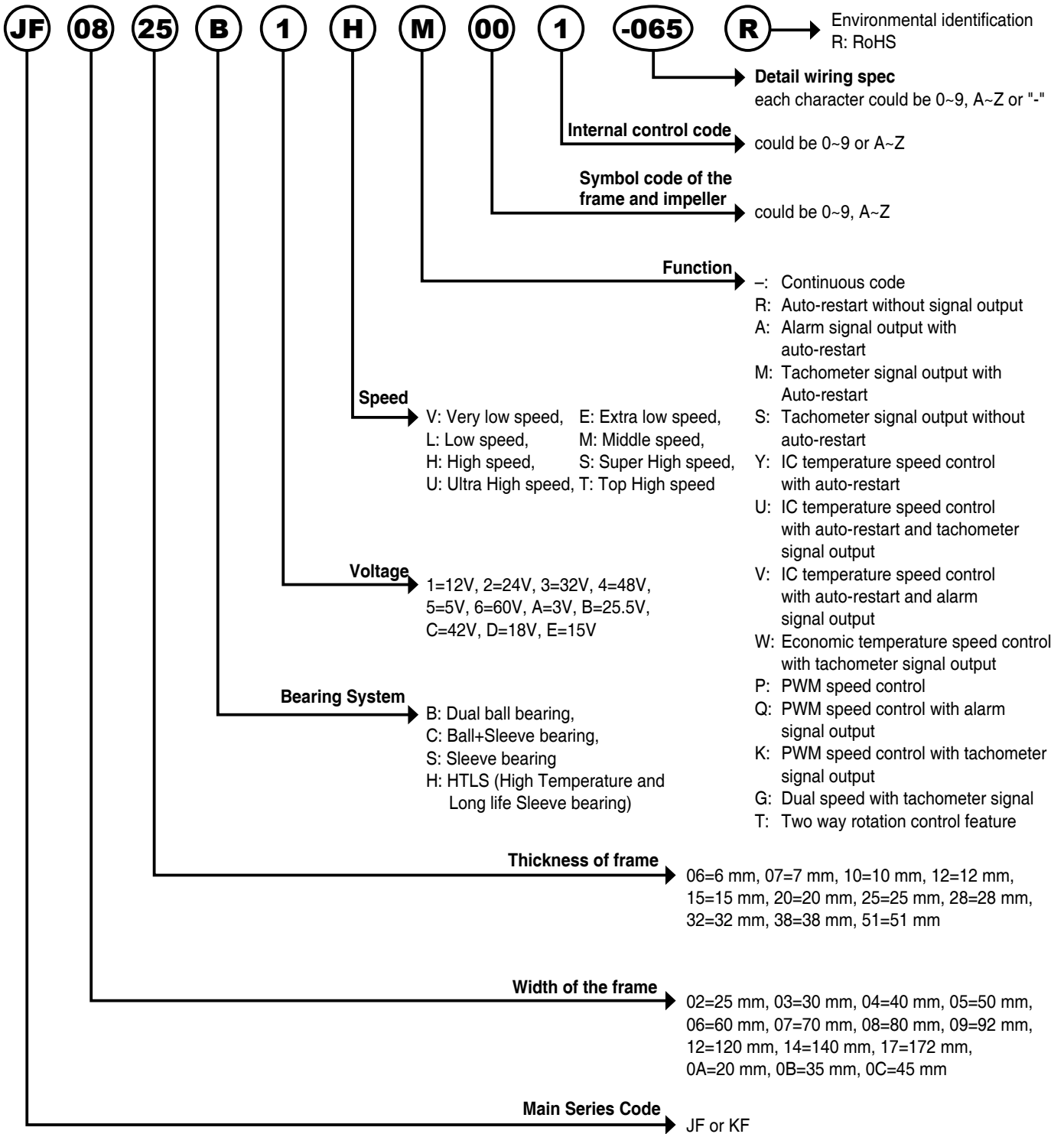
Model	Bearing	Rated Voltage (V)	Operating Voltage (V)	Air Flow (CFM)	Static Pressure (inchH <sub>2</sub> O)	Speed (R.P.M.)	Input Current (Amp)	Input Power (Watt)	Nominal Current (Amp)	Noise (dBA)	Weight (g)
KF1225-1HR01	B, H, S	12	10.2 ~ 13.8	80.49	0.141	2200	0.30	3.60	0.35	38.5	126
KF1225-1M-01				65.63	0.099	1800	0.19	2.28	0.20	32.5	
KF1225-1L-01				54.05	0.071	1500	0.13	1.56	0.14	27.4	
KF1225-1E-01				43.23	0.047	1200	0.07	0.84	0.09	21.4	
KF1225-1V-01				35.37	0.033	1000	0.06	0.72	0.07	15.5	
KF1225-2HR01	B, H, S	24	20.4 ~ 27.6	80.49	0.141	2200	0.18	4.32	0.20	38.5	
KF1225-2M-01				65.63	0.099	1800	0.12	2.88	0.13	32.5	
KF1225-2L-01				54.05	0.071	1500	0.08	1.92	0.09	27.4	

Specifications subject to change without notice

The 7<sup>TH</sup> character of Model No means the bearing code. Please refer to the page "PART NUMBER SYSTEM". Please contact us for detail if your request bearing system is not shown in the above list.



### Part Number System



## Reference List of Measure Unit

### Air Flow Unit (風量單位)

**CFM** : Cubic Feet Per Minute (ft<sup>3</sup>/min ; 立方英尺/分)

**CMM** : Cubic Meter Per Minute (m<sup>3</sup>/min ; 立方公尺/分)

**CMH** : Cubic Meter Per Hour (m<sup>3</sup>/hr ; 立方公尺/小時)

### Air Flow Unit Conversion (風量單位換算表)

CFM	CMM	CMH
1	0.0283	1.698
35.3	1	60
0.588	0.0167	1

### Static Pressure Unit (靜壓單位)

**Pa** : Pascal (Pa = N/m<sup>2</sup> ; 牛頓/平方米)

**mmAq** : 1 mmAq = 1 mmH<sub>2</sub>O

### Static Pressure Unit Conversion (靜壓單位換算表)

Pa	mmH <sub>2</sub> O	inch H <sub>2</sub> O
1	0.10197	0.004017
9.80665	1	0.03939
249	25.4	1