



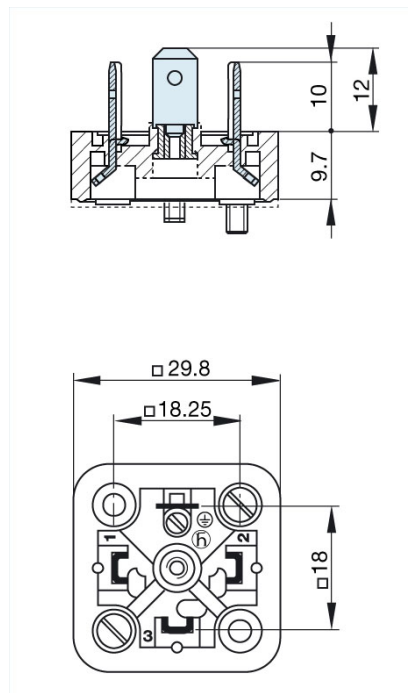
GSA 3000 schwarz/black

Industrial Connectors:Rectangular connectors GDM-series:Type AEN 175301-803 (DIN 43650) / ISO 4400:Appliance connector

Product description

Description	appliance connector with retaining nut, 2 screws M 3 x 10 and 1 screw M 3 x 4, longitudinal slots, open nut
Type	GSA 3000 schwarz/black
Order No.	932 597-100
Number of contacts	3 + PE
Standard	DIN EN 175 301-803-A
Housing Color	black
Construction type	A

Drawing



Technical data

Rated voltage	AC/DC 400 V
Rated current	16 A
Contact resistance	≤ 4 mOhm
Type of termination	solder, holes for possibility of soldering on both sides (ground contacts: screw)
Mounting	screw

Material

Contact surface material	Sn
--------------------------	----

Contact bearer material	PA
Housing material	PA
Environmental conditions	
Protection class (IEC 60529)	IP 65 (gasket necessary) (mated)
Pollution severity	3
Temperature range	-40 °C to +125 °C
Inflammability class	
Contact bearer	94 V-0
Approvals	
UR	UR
VDE	VDE
CSA	CSA
Packing unit	
Packaging unit	200 pieces
Scope of delivery and accessories	
Accessories to order separately	(NBR) flat gasket GSA 200-4, Order no. 730 843-002; (EPDM) flat gasket GSA 200-7, Order no. 730 268-003