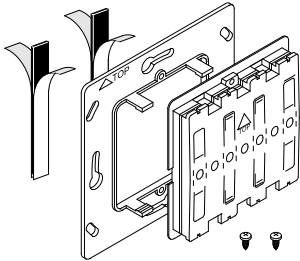
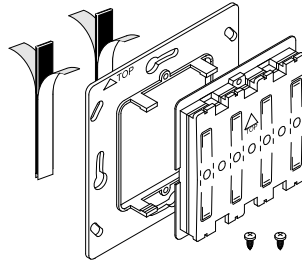


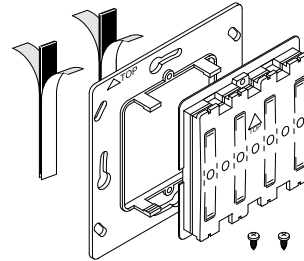
EU
xComfort CTAA-0X/04, CTAA-0X/04-LED



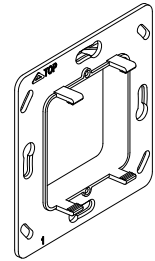
CTAA-01/04
CTAA-01/04-LED



CTAA-02/04
CTAA-02/04-LED



CTAA-04/04
CTAA-04/04-LED



CMMZ-00/45

CWIZ-0X/0X

OK ✓

	Min. Version 1.53
	Min. Version 3.5

	T=-25°C - +70°C
	T=+5°C - +40°C

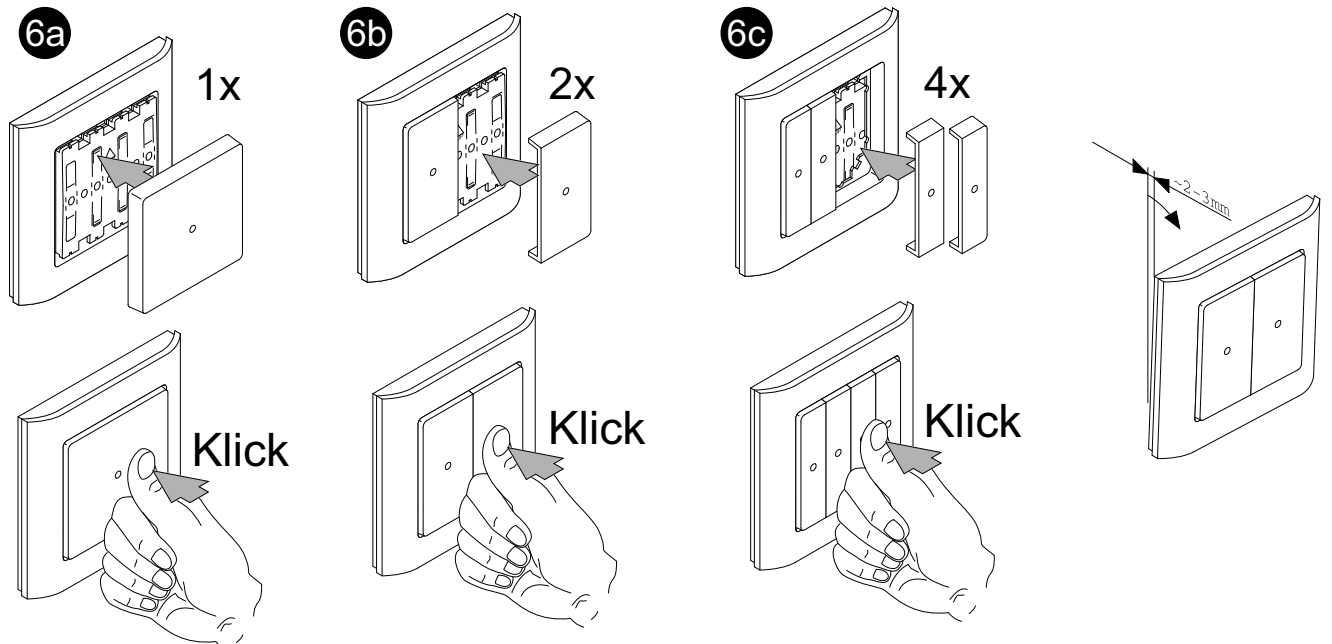
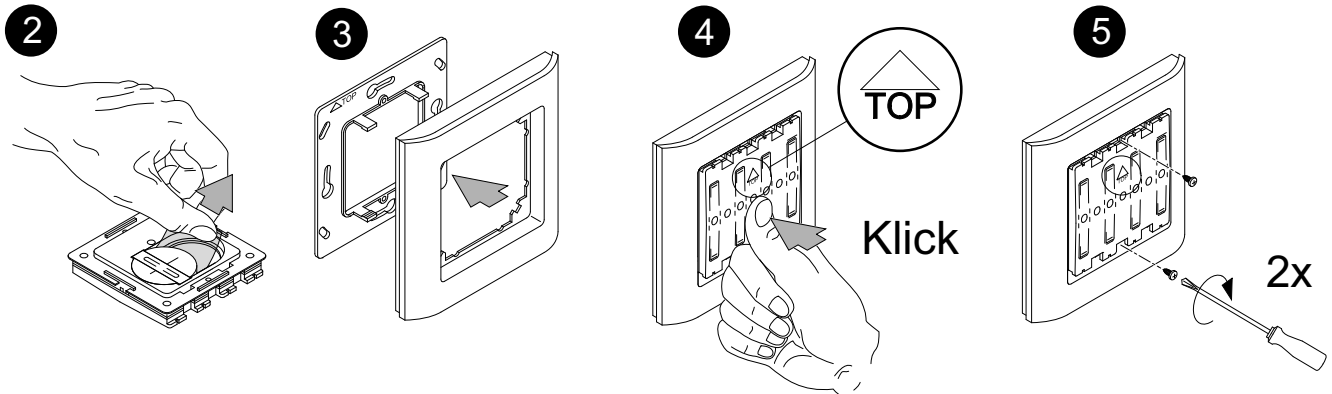
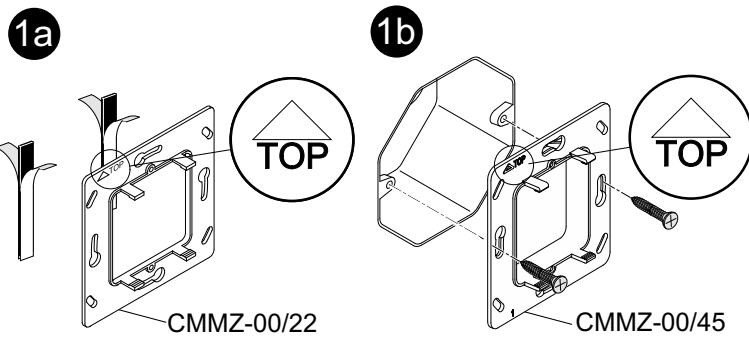
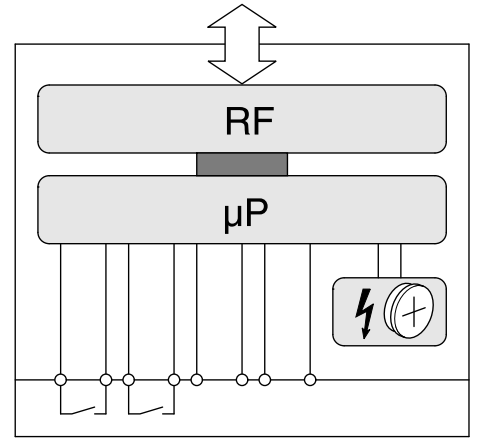
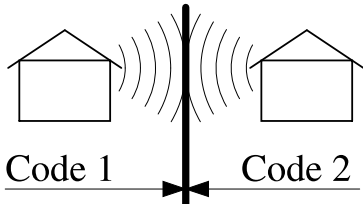
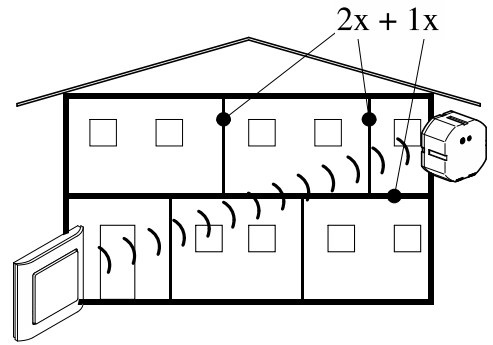
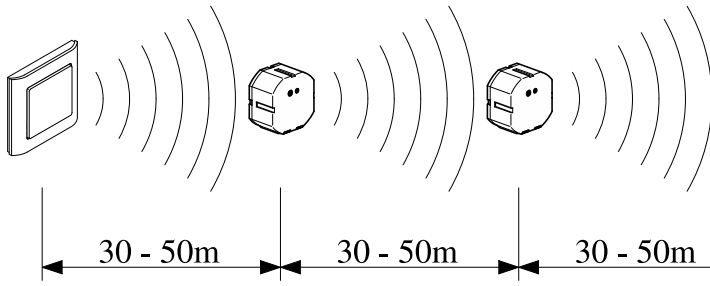
IP20

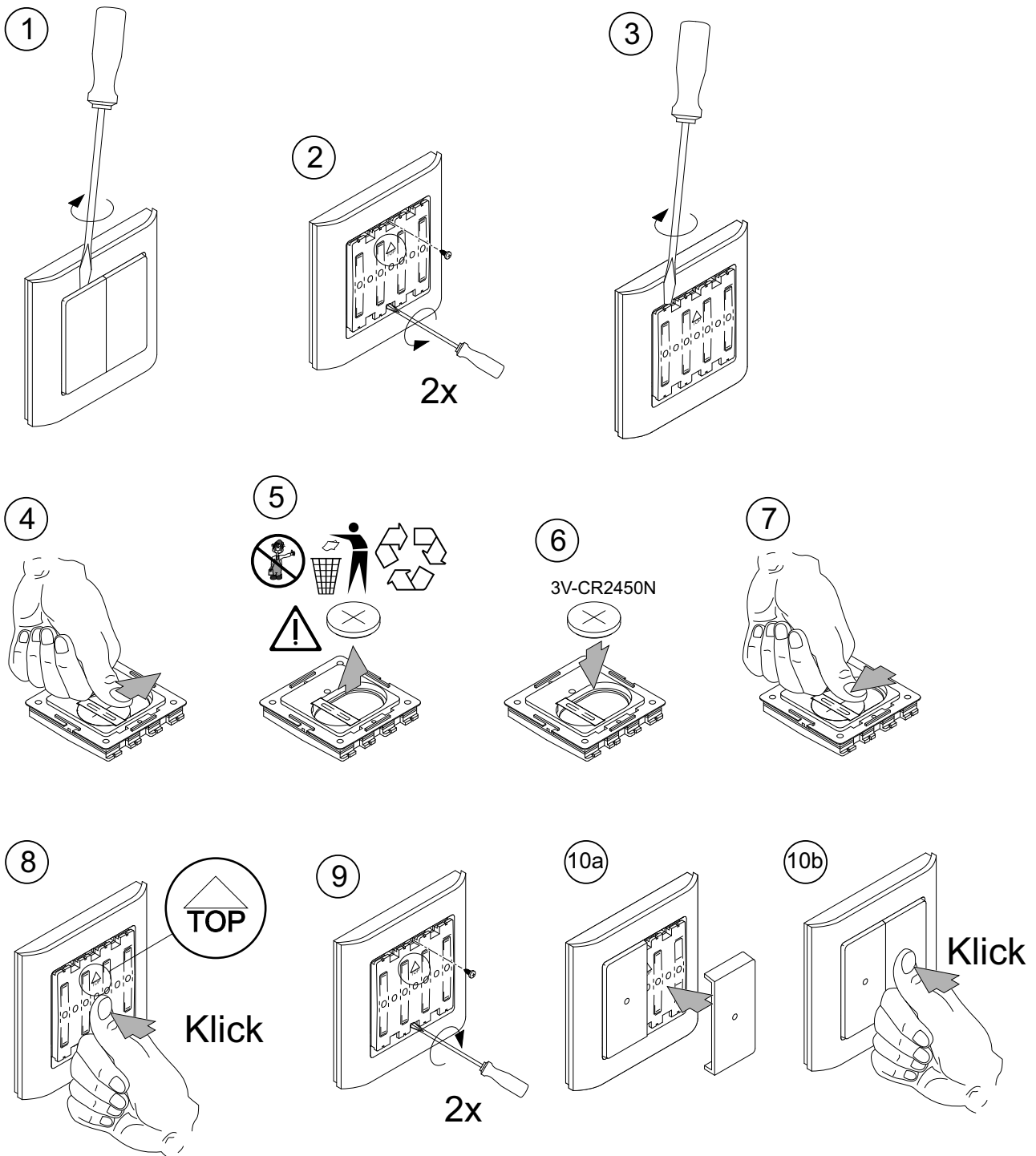
Merten	Gira	Busch Jaeger	Jung	Berker	Siemens	Elko	Kopp
1-M	Standard 55	Carat*	AS	S.1	Delta line	RS16	Alaska
Atelier M	E2	Pur Edelstahl*	A 500	B.1	Delta vita	Plus	
M-Smart	Event	Solo*	A plus	B.3	Delta miro		
M-Arc	Esprit	Future*	A creation	B.7 Glas	Delta profil**		
M-Star	Profil 55	Future linear*					
M-Plan	E22	CZ Future*					
M-Plan II		Busch-balance® SI					
M-Plan Metall							
M-Plan Glas							

* only with intermediate frame Busch&Jäger

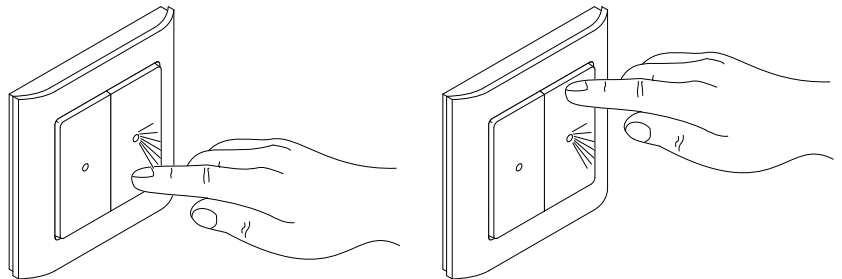
** only with intermediate frame Siemens







CTAA-0X/04-LED



ca. 60-90%	ca. 80-95%	ca. 20-60%	ca. 0-10%	ca. 70-90%	



Declaration of Conformity

We, EATON Industries (Austria) GmbH
3943 Schrems, Eugenia 1
Austria

declare under our sole responsibility that the product (family)

Eaton - Push Button,

CTAA-...

(the declaration of conformity applies to all listed types within our actual product catalogue)

provided that it is installed, maintained and used in the application intended for, with respect to the relevant manufacturers instructions, installation standards and "good engineering practices"

complies with the provisions of Council directive(s):

RED Directive 2014/53/EU

RoHS Directive 2011/65/EU

based on compliance with following standard(s):

EN 301489-3 V2.1.1, EN 300220-2 V3.1.1, EN 50491-5-1:2010, EN 50491-5-2:2010, EN 60950-1:2006 + A11:2009 + A1:2010 + A12:2011 + A2:2013, EN 62479:2010, EN 50581:2012

EU- type examination performed by:
TÜV Austria Services GmbH, Notified Body
1230 Vienna, Deutschstrasse 10, Austria

Affixing date of CE mark: 2003
Doc.Id.: CTAA-...171117

Fernando Ceccarelli

Senior Vice President
General Manager

17.11.2017

Friedrich Schröder

Director Quality
& Systems



<h2>RF- SYSTEM</h2> <h3>BASIC - MODE - CARD</h3>			