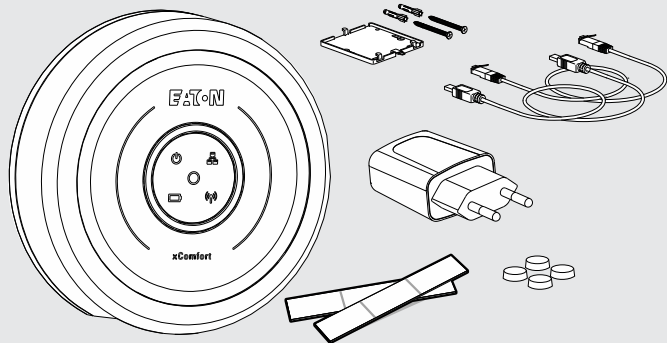




Quick Installation Card

Hurtig installasjon kort - Snelle installatiekaart -
Schnellinstallationskarte - Karta pro rychlou instalaci



Content - Innhold - Inhoud - Inhalt - Obsah



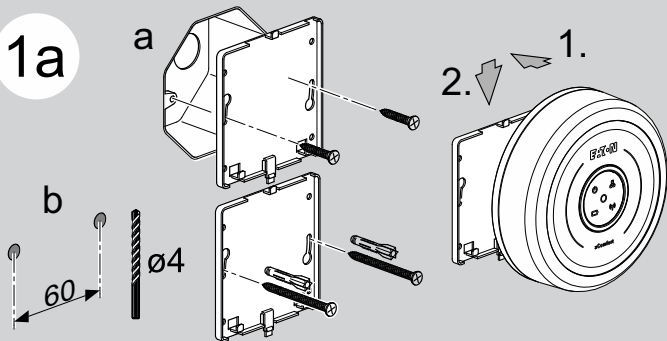
Powering Business Worldwide



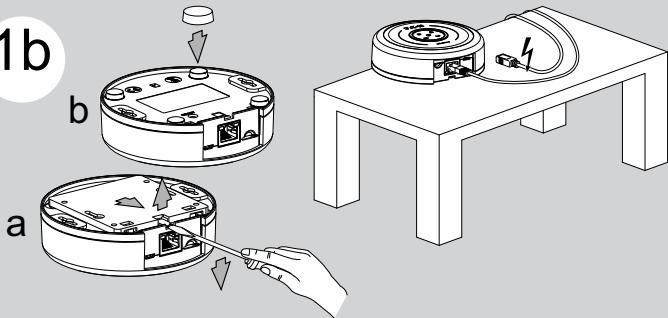
www.eaton.com/recycling

© 2019 by Eaton Industries (Austria) GmbH
Eugenia 1, 3943 Schrems, Austria
www.eaton.eu/documentation
All Rights Reserved, Printed in Austria

1a



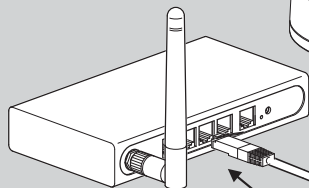
1b



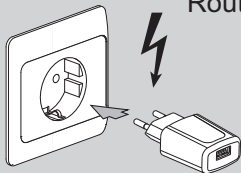
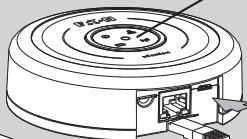
2



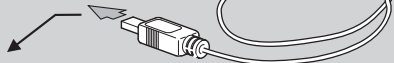
WLAN Router



USB Router



USB Power Adapter



3a



Available on the
App Store



Get it on
Google play



3b



- EN Start App, select your xComfort Bridge and follow the Instructions. The Bridge must be in the same network!
- NO Start app, velg xComfort Bridge og følg videre instruksener. xComfort Bridge må være i samme lokale nettverk!
- NL Start de app, selecteer uw xComfort Bridge en volg de instructies op. De xComfort Bridge moet zich in hetzelfde netwerk bevinden!
- DE Starten Sie die App, wählen Sie Ihre xComfort Bridge aus und folgen Sie den Anweisungen. Die Bridge muss sich im selben Netzwerk befinden!
- CZ Spustte aplikaci, vyberte svůj xComfort Bridge a postupujte podle pokynů. Bridge musí být ve stejné síti!"

Update
Oppdater
Update
Update
Aktualizace

Boot

No IP Address
Ingen IP-adresse
Geen IP Adres
Keine IP Adresse
Žádná IP adresa

No connection
Ingen tilkobling
Geen verbinding
Keine Verbindung
Žádné spojení

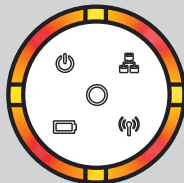
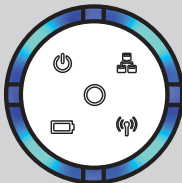
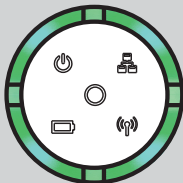
RF TX
RF Status

Weak battery
Svakt batteri
Zwakke batterij
Schwache Batterie
Slabá baterie



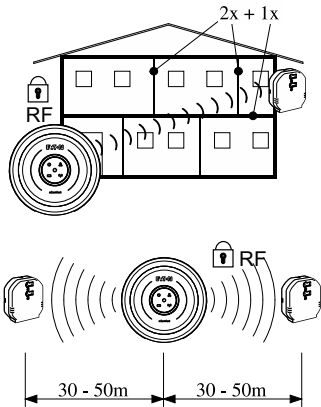
Learning Mode
Læremodus
Leermodus
Lernmode
Režim učení

Replace battery
Bytt batteri
Vervang batterij
Batterie ersetzen
Vyměnit baterii



Technical Data / Tekniske data / Technische gegevens / Technische Daten / Technická data

Power supply	5 VDC, 1 A, power unit connector, separate power unit
Power consumption	Typical <0,5 W
RF	868,3MHz (xComfort compatible)
Max RF power	25 mW (ERP)
Degree of protection	IP20
Operating temperature	+5 to +45 °C
Storage/transportation temperature	-25 to +70 °C
Housing colour	Similar to RAL9010
Dimensions housing	105 x 105 x 31 mm (H x W x D)



EATN

Declaration of Conformity

via: ATEX/EMC/Industrial Safety System
8000 Systems, England 1
EN14531

declared under our sole responsibility as manufacturer that the product bearing

Eaton - Bridge
CBCA-001x

are equivalent of conformity system to all
stand types within our actual product (catalogue)

declare that all modules, components and parts are the
manufactured according to, with respect to the relevant manufacturer's
instructions, installation standards and "good engineering practice"
conforms with the positions of Council (directives)

8000 System 001458821
8000 System 001458822

based on compliance with following standards:

EN 101019-1 V2.1.1, EN 100220-2 V2.2.1, EN 60300-3-1:2017, EN
60300-3-2:2017, EN 60300-3-2:2017, EN 60300-3-3:2017, EN
60319-1:2017, EN 60319-2:2017

12.03.2019

10/2019/01/01/19

Director Quality & Systems

Quick_Insta_card_xComfort_Bridge.indd / 04.2019a /
IL019233ZU / 136211203