

GENERAL PURPOSE SILICON RECTIFIERS

BY251 TO BY255



**DO-201AD
AXIAL LEAD PLASTIC
PACKAGE**

- Low Reverse Leakage
- High Forward Surge Current Capability
- High Temperature Soldering Guaranteed :
250°C/10 seconds, 0.375”(9.5mm) Lead Length, 5lbs.(2.3Kg) Tension
- Colour Band Denotes Cathode End

Absolute Maximum Ratings (Ratings at $T_A = 25^\circ\text{C}$ unless specified otherwise, Single phase, half wave, 60Hz, resistive or inductive load, for capacitive load current derate by 20%.)

DESCRIPTION	SYMBOL	BY251	BY252	BY253	BY254	BY255	UNITS
Maximum Recurrent Peak Reverse Voltage	V_{RRM}	200	400	600	800	1300	V
Maximum RMS Voltage	V_{RMS}	140	280	420	560	910	V
Maximum DC Blocking Voltage	V_{DC}	200	400	600	800	1300	V
Maximum Average Forward Rectified Current 0.375" (9.5mm) lead length at $T_A=75^\circ\text{C}$	$I_{F(AV)}$	3.0					A
Peak Forward Surge Current 8.3ms single half sine wave superimposed on rated load (JEDEC method)	I_{FSM}	150					A
Maximum Instantaneous Forward Voltage at 3.0A	V_F	1.1					V
Maximum Reverse Current $T_A = 25^\circ\text{C}$ at Rated DC Blocking Voltage $T_A = 100^\circ\text{C}$	I_R	10.0 500					μA
Typical Junction Capacitance (Note 1)	C_J	30.0					pF
Typical Thermal Resistance (Note 2)	R_{thJA}	20.0					$^\circ\text{C/W}$
Operating and Storage Temperature Range	T_J, T_{stg}	-65 to +150					$^\circ\text{C}$

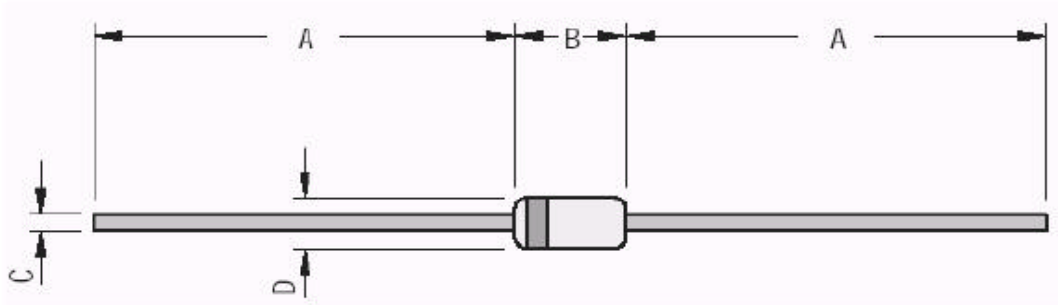
NOTES:

1. Measured at 1MHz and applied reverse voltage of 4.0 V DC
2. Thermal Resistance from Junction to Ambient at 0.375” (9.5mm) Lead Length, P.C. B. mounted

BY251 TO BY255

**DO-201AD
AXIAL LEAD PLASTIC
PACKAGE**

DO-201AD Axial Plastic Package



Cathode is marked by a Band

DIM	Min	Max
A	25.40	
B	7.20	9.50
C	1.20	1.30
D	5.00	5.60

All Dimensions are in mm



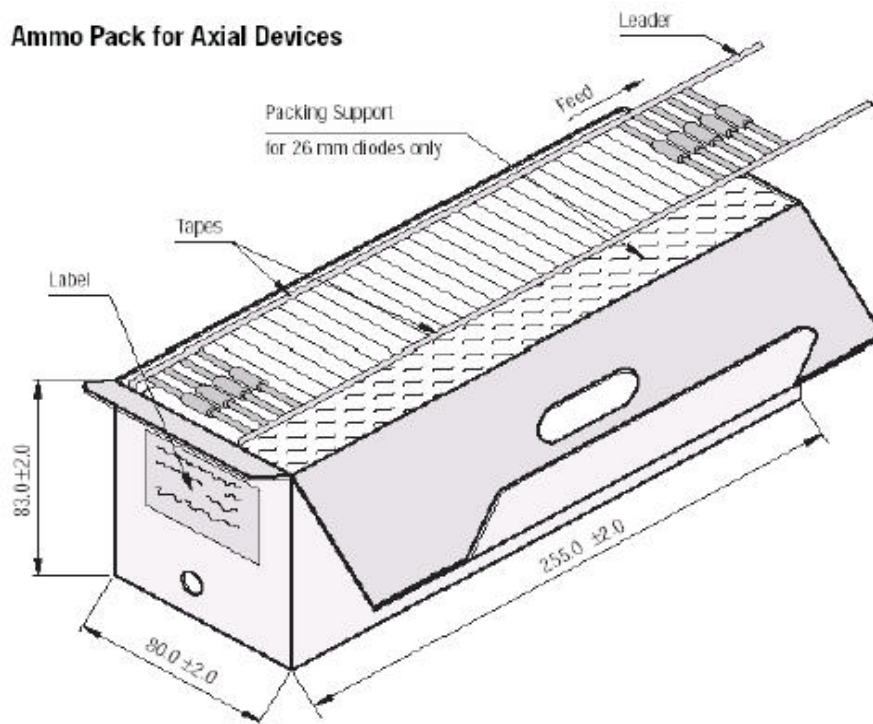
BY251_255 Rev_0 300611E

BY251 TO BY255

**DO-201AD
AXIAL LEAD PLASTIC
PACKAGE**

DO-201AD Package and Packaging

AMMO PACKING FOR DO-201AD



All Dimensions are in mm

Packaging Information

Package/ Case Type	Packaging Type	Std. Packing Qty	Inner Carton			Outer Carton		
			Qty	Size L x W x H (cm)	Gross Weight (Kg)	Qty	Size L x W x H (cm)	Gross Weight (Kg)
DO-201AD	T&A	1,200	1,2K	29 x 8 x 15	1.68	10,8K	46 x 36 x 25	15.3

T & A: Tape and Ammo Pack



Continental Device India Limited

An IS/ISO 9002 and IECQ Certified Manufacturer



Customer Notes

BY251 TO BY255

DO-201AD
AXIAL LEAD PLASTIC
PACKAGE

Disclaimer

The product information and the selection guides facilitate selection of the CDIL's Discrete Semiconductor Device(s) best suited for application in your product(s) as per your requirement. It is recommended that you completely review our Data Sheet(s) so as to confirm that the Device(s) meet functionality parameters for your application. The information furnished in the Data Sheet and on the CDIL Web Site/CD are believed to be accurate and reliable. CDIL however, does not assume responsibility for inaccuracies or incomplete information. Furthermore, CDIL does not assume liability whatsoever, arising out of the application or use of any CDIL product; neither does it convey any license under its patent rights nor rights of others. These products are not designed for use in life saving/support appliances or systems. CDIL customers selling these products (either as individual Discrete Semiconductor Devices or incorporated in their end products), in any life saving/support appliances or systems or applications do so at their own risk and CDIL will not be responsible for any damages resulting from such sale(s).

CDIL strives for continuous improvement and reserves the right to change the specifications of its products without prior notice.

marketed by



CDIL is a registered Trademark of

Continental Device India Limited

C-120 Naraina Industrial Area, New Delhi 110 028, India.

Telephone + 91-11-2579 6150,4141 1112 Fax + 91-11-2579 5290, 4141 1119

e-mail@cdil.com , www.cdilsemi.com

BY251_255 Rev_0 300611E